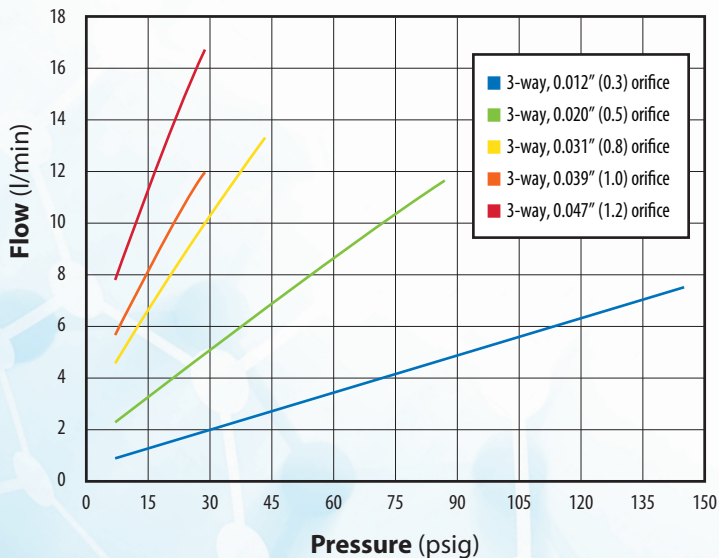


ST SERIES ELECTRONIC VALVES



These direct actuating valves offer an extremely fast response time for accurate dosing of minute volumes in a compact, 8 mm cartridge package. Due to very low moving weights, they are extremely quiet and emit very low vibration. Subminiature size and low energy consumption make them ideal for many medical and diagnostic applications. Standard products offered will fit the needs of most applications, however this series can be fully customized according to the user's unique requirements. Consult Clippard with your specific application.

TYPICAL FLOW

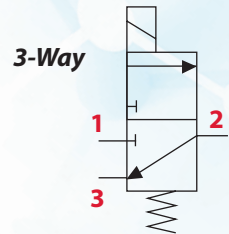
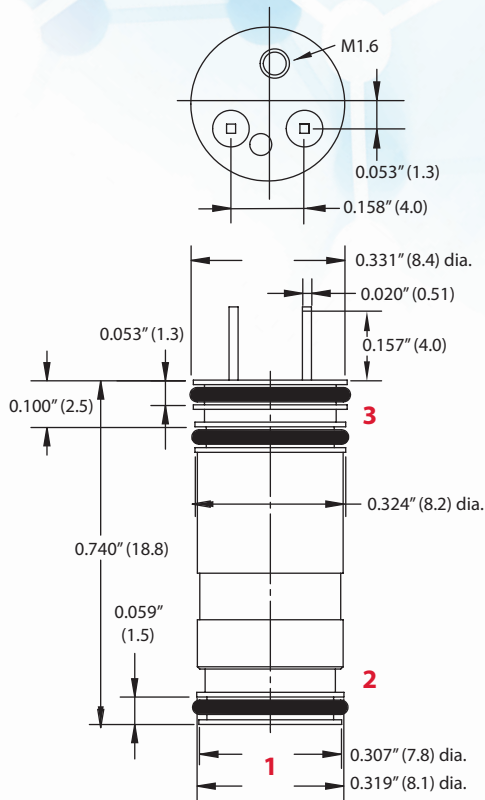
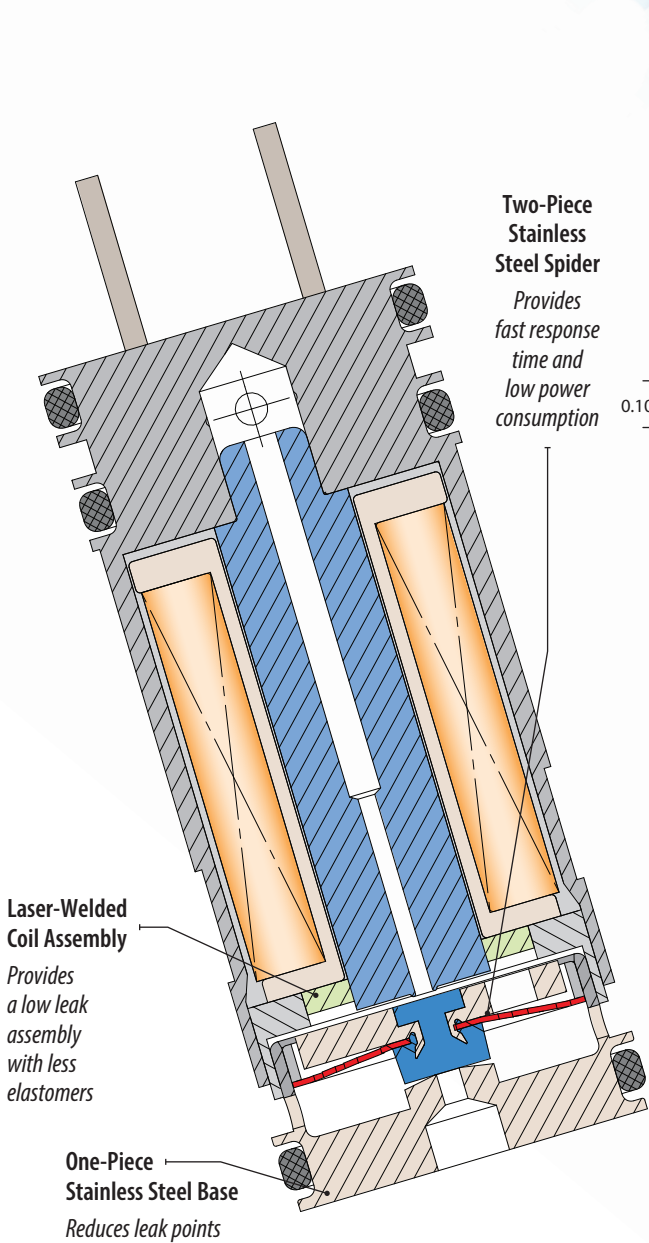


Connection	Terminal pins
Cycle Life	>100,000,000
Filtration	10 micron (<i>recommended</i>)
Function	3-way
Leak Rate	1.0 sccm
Material, Body	Stainless steel
Material, Seals	FKM standard, EPDM available ¹
Material, Spring	302 stainless steel
Material, Wetted	302 stainless steel
Max. Flow	7.5 l/min @ 145 psig (10 bar), 11.7 l/min @ 87 psig (6 bar), 16.7 l/min @ 45 psig (3 bar)
Max. psig	145 (10 bar)
Medium	Air, water, gas, and compatible fluids
Mount	Cartridge
Number of Ports	3
Operating Pressure	0 to 29 psig (2 bar) to 0 to 145 psig (10 bar)
Operating Range	95-105% of rated power
Operating Temperature	41 to 122°F (5 to 50°C)
Orifice	0.012" (0.3 mm), 0.017" (0.5 mm), 0.020" (0.8 mm), 0.031" (1.0 mm), 0.047" (1.2 mm)
Port, Exhaust	No thread
Port, Inlet	No thread
Port, Outlet	No thread
Response Time	<10 ms
Voltage	12 or 24 VDC
Voltage Operating Range	90 to 105%
Wattage	0.5 to 1.0 watts
More Details	clippard.com/link/st-series

¹Minimum order quantity required

Does your application have requirements beyond what is listed? Contact Clippard to discuss how this valve can be modified to meet your specific needs.



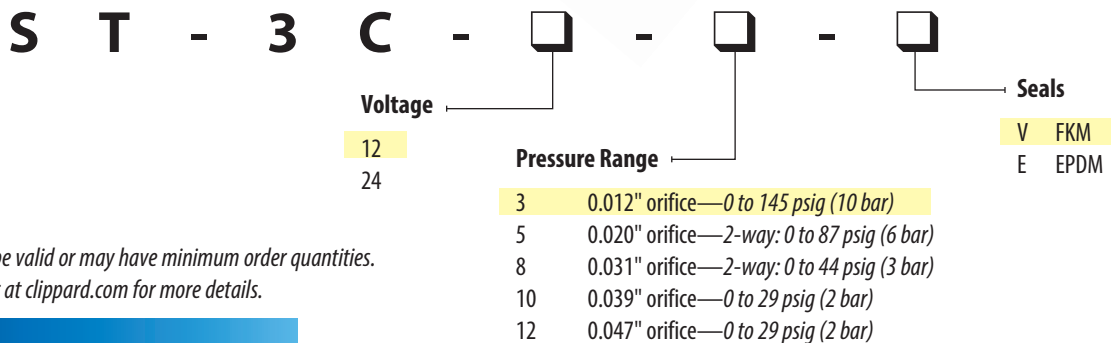


Dimensions shown are in inches (millimeters in parentheses).

Visit clippard.com for more detailed 2D and 3D drawings.

- Extremely small dead volume
- Low vibration and noise
- Fast response time
- Low energy consumption
- Exceptional repeatability and reliability
- Compact and ideal for sub-assemblies
- 100% tested
- Serialized production cell

ORDERING INFORMATION



Some configurations may not be valid or may have minimum order quantities. Consult the online configurator at clippard.com for more details.

ACCESSORIES

STM-01* Single-station manifold, #10-32

M-STM-01* Single-station manifold, M5

*Also available in stainless steel (add -SS to part number)

Example Part Number:

ST-3C-12-3-V

For more info, scan the QR code or visit

clippard.com/link/st-series

